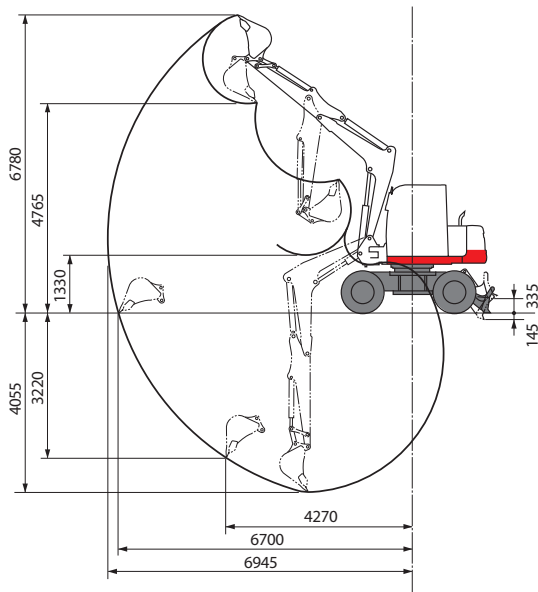
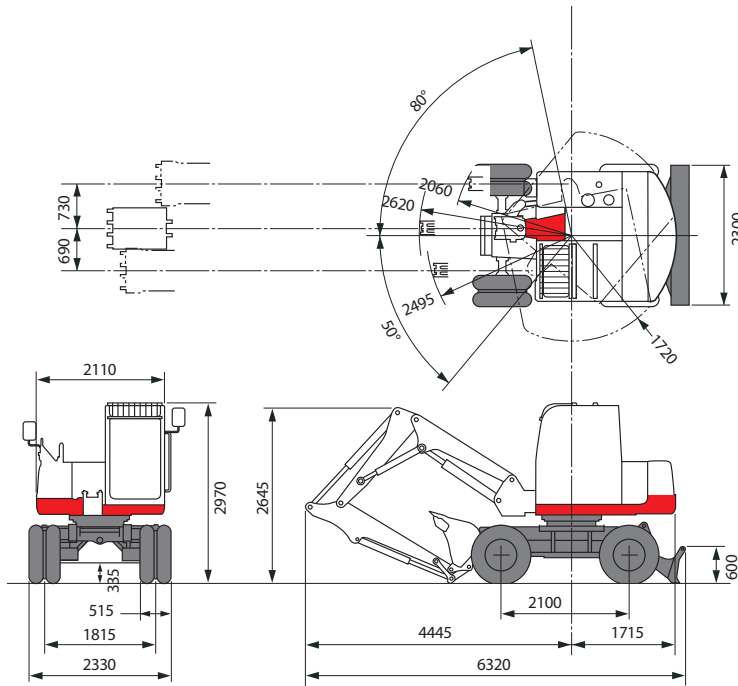


TB175W

Standard UK Specification - Long Dipper/Rubber Tracks



Engine	
Make	Yanmar
Model	4TNV98T-ZSTBW
Rated Output (kW)/rpm	53/2200
Maximum Torque (Nm)	295
Cylinders	4
Displacement (cc)	3318
Electrical System	12volts 40amp

Dimensions & Weight	
Operating Weight inclusive of bucket and fuel (kg)	7905
Overall Length (mm)	6320
Width (mm)	2330
Height (mm)	2970
Ground Clearance (mm)	335
Min. Front Swing Radius (mm)	2060
Tail Swing Radius (mm)	1720
Dozer Blade (W x H) (mm)	2300 x 600

Operating Information	
Max Digging Depth (mm)	4055
Max Dump Height (mm)	4765
Max Reach at Ground Level (mm)	6700
Max Vertical Digging Depth (mm)	3220
Max Bucket Digging Force (kN)	52.7
Max Arm Digging Force (kN)	36

Hydraulic System	
Set Pressure (bar)	280
Pump Type	Variable(P1+P2) +Gear(P3+P4)
Hydraulic Flow (l/min)	69x2+53.6+20.7
Auxiliary Flow (l/min)	69

Swing System	
Boom Swing Angle (L/R)	80°/50°
Slew Speed (rpm)	4.1/10.7
Slew Motor	Axial Piston
Slew Brake	Disc

Undercarriage	
Tyre Size	8.25-20-12PR
Drive Line	All Wheel Drive
Travel Brake	Disc & Brake Lock
Steering	Front Setting System
Wheelbase	2100
Tyre Pressure (psi)	85
Travel Speed (K/ph)	30
Maximum Gradeability	35°

Capacities	
Hydraulic System (l)	135
Fuel Tank (l)	120
Engine Lubrication (l)	10.2
Cooling System (l)	12

All dimensions unless otherwise stated are in millimetres